



## Test Report

CUSTOMER:

ATTENTION: Mr. Francisco Javier García Martín

Micuna, SL / Extension Albufera, S/N  
46430 Sollana  
Valencia, Spain

---

### Conclusion:

<u>Tested Samples</u>	<u>Standard</u>	<u>Result</u>
Harmony Single Max	ASTM F1169-13 – Full Size Crib Test	Pass
	16 CFR 1500 – Flammability	Pass
	CPSIA Sec. 101 – Total Lead in Substrates	Pass
	16 CFR 1303 – Total Lead in Coatings	Pass
	California Prop. 65 – Lead and Cadmium	Pass
	California Prop. 65 – 6 Phthalates	Pass

---

SIGNED FOR THE COMPANY BY:

---

William M. Baumann  
Laboratory Director

The test results stated in this report relate only to the item(s) tested. This test report may not be reproduced except in full, without written approval of AM Testing & Services.  
Tests identified with an asterisk (\*) have been subcontracted.

This report is issued by AM Testing & Services Inc. AM Testing & Services Inc.'s responsibility is limited to proven negligence and will in no case be more than the amount of the testing fees. Except by special arrangement, samples are not retained by AM Testing & Services Inc. for more than 30 days, and are the property of AM Testing & Services Inc. The results shown on this test report refer only to the sample(s) tested unless otherwise stated, under the conditions agreed upon. Anyone relying on this report should understand all of the details of the engagement. The name, seals, marks nor insignia of AM Testing & Services Inc. may not be used in any advertising or promotional materials without the prior written approval of AM Testing & Services Inc. The test report cannot be reproduced without prior written permission of AM Testing & Services Inc.



**Technical Report**

**Sample ID:** Harmony Single Max

**Sample No.**

- 1) Coating, white
- 2) Coating, clear (on legs)
- 3) Substrate, metal lock nut
- 4) Substrate, metal bolt
- 5) Substrate, black sip tie
- 6) Substrate, plastic bracket
- 7) Substrate, bolt (on plastic bracket)
- 8) Substrate, plastic cap

Item 1: ASTM F1169-13 – Full Size Crib Test

Item 2: 16 CFR 1500 – Flammability

Item 3: CPSIA Sec. 101 – Total Lead in Substrates

Item 4: 16 CFR 1303 – Total Lead in Coatings

Item 5: California Prop. 65 – Lead and Cadmium

Item 6: California Prop. 65 – 6 Phthalates

**Item 1:** Results for testing according to **ASTM F1169 Full-Size Crib Testing** are listed below

P = Pass		F = Fail		N/A = Not Applicable	
5.0	General Requirements	P	F	N/A	
5.1	Wood Parts	<input checked="" type="checkbox"/>	<input type="checkbox"/>	<input type="checkbox"/>	
5.2	16 CFR 1303 Lead in Coatings	<input checked="" type="checkbox"/>	<input type="checkbox"/>	<input type="checkbox"/>	
5.3	16 CFR 1501 Small Parts	<input checked="" type="checkbox"/>	<input type="checkbox"/>	<input type="checkbox"/>	
5.4	Corner Post (<0.06" or >16")	<input type="checkbox"/>	<input type="checkbox"/>	<input checked="" type="checkbox"/>	
5.5	Slat Construction	<input checked="" type="checkbox"/>	<input type="checkbox"/>	<input type="checkbox"/>	
5.6	Crib-Side Configurations	<input checked="" type="checkbox"/>	<input type="checkbox"/>	<input type="checkbox"/>	
5.7	Full-Size Baby Cribs – Dimensions	<input checked="" type="checkbox"/>	<input type="checkbox"/>	<input type="checkbox"/>	
5.8	Spacing of Crib Components	<input checked="" type="checkbox"/>	<input type="checkbox"/>	<input type="checkbox"/>	

This report is issued by AM Testing & Services Inc. AM Testing & Services Inc.'s responsibility is limited to proven negligence and will in no case be more than the amount of the testing fees. Except by special arrangement, samples are not retained by AM Testing & Services Inc. for more than 30 days, and are the property of AM Testing & Services Inc. The results shown on this test report refer only to the sample(s) tested unless otherwise stated, under the conditions agreed upon. Anyone relying on this report should understand all of the details of the engagement. The name, seals, marks nor insignia of AM Testing & Services Inc. may not be used in any advertising or promotional materials without the prior written approval of AM Testing & Services Inc. The test report cannot be reproduced without prior written permission of AM Testing & Services Inc.



5.9	Toe Holds	<input type="checkbox"/>	<input type="checkbox"/>	<input checked="" type="checkbox"/>
5.10	Hardware and Fasteners	<input checked="" type="checkbox"/>	<input type="checkbox"/>	<input type="checkbox"/>
5.11	Toy Accessories ( ASTM F963 )	<input type="checkbox"/>	<input type="checkbox"/>	<input checked="" type="checkbox"/>
5.12	Record Keeping	<input checked="" type="checkbox"/>	<input type="checkbox"/>	<input type="checkbox"/>
5.13	Compliance with Section 5	<input checked="" type="checkbox"/>	<input type="checkbox"/>	<input type="checkbox"/>
5.14	16 CFR 1500.48/49	<input checked="" type="checkbox"/>	<input type="checkbox"/>	<input type="checkbox"/>
5.15	16 CFR 1500.3 Flammability	<input checked="" type="checkbox"/>	<input type="checkbox"/>	<input type="checkbox"/>
5.16	Openings	<input checked="" type="checkbox"/>	<input type="checkbox"/>	<input type="checkbox"/>
5.17	Scissoring, Shearing or Pinching	<input checked="" type="checkbox"/>	<input type="checkbox"/>	<input type="checkbox"/>
5.18	Labeling	<input checked="" type="checkbox"/>	<input type="checkbox"/>	<input type="checkbox"/>
5.19	Cord/Strap Length	<input type="checkbox"/>	<input type="checkbox"/>	<input checked="" type="checkbox"/>
5.20	Foldable Cribs	<input type="checkbox"/>	<input type="checkbox"/>	<input checked="" type="checkbox"/>
<b>6.0</b>	<b>Performance Requirements</b>			
6.1	Plastic Teething Rail	<input type="checkbox"/>	<input type="checkbox"/>	<input checked="" type="checkbox"/>
6.2	Cycle Testing	<input checked="" type="checkbox"/>	<input type="checkbox"/>	<input type="checkbox"/>
6.2.1	Horizontal Cyclic Testing	<input checked="" type="checkbox"/>	<input type="checkbox"/>	<input type="checkbox"/>
6.2.2	Vertical Cyclic Testing	<input checked="" type="checkbox"/>	<input type="checkbox"/>	<input type="checkbox"/>
6.3	Crib-Side Latch Test	<input checked="" type="checkbox"/>	<input type="checkbox"/>	<input type="checkbox"/>
6.4	Mattress Support Vertical Impact	<input checked="" type="checkbox"/>	<input type="checkbox"/>	<input type="checkbox"/>
6.5	Mattress Support System	<input checked="" type="checkbox"/>	<input type="checkbox"/>	<input type="checkbox"/>
6.6	Crib-Side Test	<input checked="" type="checkbox"/>	<input type="checkbox"/>	<input type="checkbox"/>
6.6.1	Crib-Side Cyclic Test	<input checked="" type="checkbox"/>	<input type="checkbox"/>	<input type="checkbox"/>
6.6.2	Crib-Side Static Load Test	<input checked="" type="checkbox"/>	<input type="checkbox"/>	<input type="checkbox"/>
6.7	Spindle/Slat Strength Test	<input checked="" type="checkbox"/>	<input type="checkbox"/>	<input type="checkbox"/>
6.8	Cutouts	<input type="checkbox"/>	<input type="checkbox"/>	<input checked="" type="checkbox"/>
6.9	Entrapments in Accessories	<input type="checkbox"/>	<input type="checkbox"/>	<input checked="" type="checkbox"/>
6.10	Mattress Support System Openings	<input checked="" type="checkbox"/>	<input type="checkbox"/>	<input type="checkbox"/>
<b>8.0</b>	<b>Marking and Labeling</b>			
8.1	Required Labeling	<input checked="" type="checkbox"/>	<input type="checkbox"/>	<input type="checkbox"/>
8.1.2.1	Manufacturer's ID	<input checked="" type="checkbox"/>	<input type="checkbox"/>	<input type="checkbox"/>
8.1.2.2	Date Code	<input checked="" type="checkbox"/>	<input type="checkbox"/>	<input type="checkbox"/>
8.1.3	Mattress Warning	<input checked="" type="checkbox"/>	<input type="checkbox"/>	<input type="checkbox"/>
8.2	Warning Statements / Size	<input checked="" type="checkbox"/>	<input type="checkbox"/>	<input type="checkbox"/>
8.3	Warning Visibility	<input checked="" type="checkbox"/>	<input type="checkbox"/>	<input type="checkbox"/>
8.3.2	Suffocation Warning	<input checked="" type="checkbox"/>	<input type="checkbox"/>	<input type="checkbox"/>
8.4	Address Warnings	<input checked="" type="checkbox"/>	<input type="checkbox"/>	<input type="checkbox"/>
8.5	Additional Warnings	<input checked="" type="checkbox"/>	<input type="checkbox"/>	<input type="checkbox"/>
<b>9.0</b>	<b>Instructional Literature</b>			
9.1	Clarity, Retention etc.	<input checked="" type="checkbox"/>	<input type="checkbox"/>	<input type="checkbox"/>
9.2	Warnings as per section 8	<input checked="" type="checkbox"/>	<input type="checkbox"/>	<input type="checkbox"/>

Model in complete compliance with standard?  Yes  No

This report is issued by AM Testing & Services Inc. AM Testing & Services Inc.'s responsibility is limited to proven negligence and will in no case be more than the amount of the testing fees. Except by special arrangement, samples are not retained by AM Testing & Services Inc. for more than 30 days, and are the property of AM Testing & Services Inc. The results shown on this test report refer only to the sample(s) tested unless otherwise stated, under the conditions agreed upon. Anyone relying on this report should understand all of the details of the engagement. The name, seals, marks nor insignia of AM Testing & Services Inc. may not be used in any advertising or promotional materials without the prior written approval of AM Testing & Services Inc. The test report cannot be reproduced without prior written permission of AM Testing & Services Inc.



**Item 2:** Results for Flammability testing according to ASTM F963-11 Sec. 4.2 & Annex A5 are listed below

ASTM F963-11 Section 4.2 & Annex A5: Flammability of Solids					
Sample	Ignition Point	Burn Length (in)	Burn Time (sec)	Burn Rate (in/sec)	Pass / Fail
Harmony Single Max	Upper Corner	-	-	DNI	Pass

DNI = Did not ignite      in = Inches      sec = Seconds      IBSE = Ignited but self extinguished

**Item 3:** Results for Total Lead in Substrates testing according to CPSIA Section 101 are listed below

CPSIA Section 101: Total Lead in Substrates		
Analyte		Lead (Pb)
Substrate Limit (mg/kg)		100
Sample No.	Sample Type	Results (mg/kg)
3	Substrate	51.56
4	Substrate	28.40
5	Substrate	BDL

BDL = <1.0ppm      ppm = parts per million = mg/kg = milligrams per kilogram

**Item 4:** Results for Total Lead in Coatings testing according to CPSIA 16 CFR 1303 are listed below

CPSIA 16 CFR 1303: Total Lead in Coatings		
Analyte		Lead (Pb)
Coating Limit (mg/kg)		90
Sample No.	Sample Type	Results (mg/kg)
1	Coating	BDL
2	Coating	BDL

BDL = <1.0ppm      ppm = parts per million = mg/kg = milligrams per kilogram

**Item 5:** Results for Lead and Cadmium testing according to California Prop. 65 are listed below

California Prop. 65: Total Lead and Cadmium		
Analyte	Lead (Pb)	Cadmium (Cd)
Limit (mg/kg)	90	100
Sample No.	Results (mg/kg)	
1	BDL	BDL
2	BDL	BDL
3	51.16	31.92
4	28.40	BDL
5	BDL	BDL
6	BDL	BDL
7	30.20	12.35
8	BDL	BDL

BDL = <1.0ppm      ppm = parts per million = mg/kg = milligrams per kilogram

This report is issued by AM Testing & Services Inc. AM Testing & Services Inc.'s responsibility is limited to proven negligence and will in no case be more than the amount of the testing fees. Except by special arrangement, samples are not retained by AM Testing & Services Inc. for more than 30 days, and are the property of AM Testing & Services Inc. The results shown on this test report refer only to the sample(s) tested unless otherwise stated, under the conditions agreed upon. Anyone relying on this report should understand all of the details of the engagement. The name, seals, marks nor insignia of AM Testing & Services Inc. may not be used in any advertising or promotional materials without the prior written approval of AM Testing & Services Inc. The test report cannot be reproduced without prior written permission of AM Testing & Services Inc.



**Item 6:** Results for Phthalate testing according to California Proposition 65 are listed below

The 1000 mg/kg limit for the banned phthalates applies to each individual phthalate, not the total amount of these phthalates in the product.

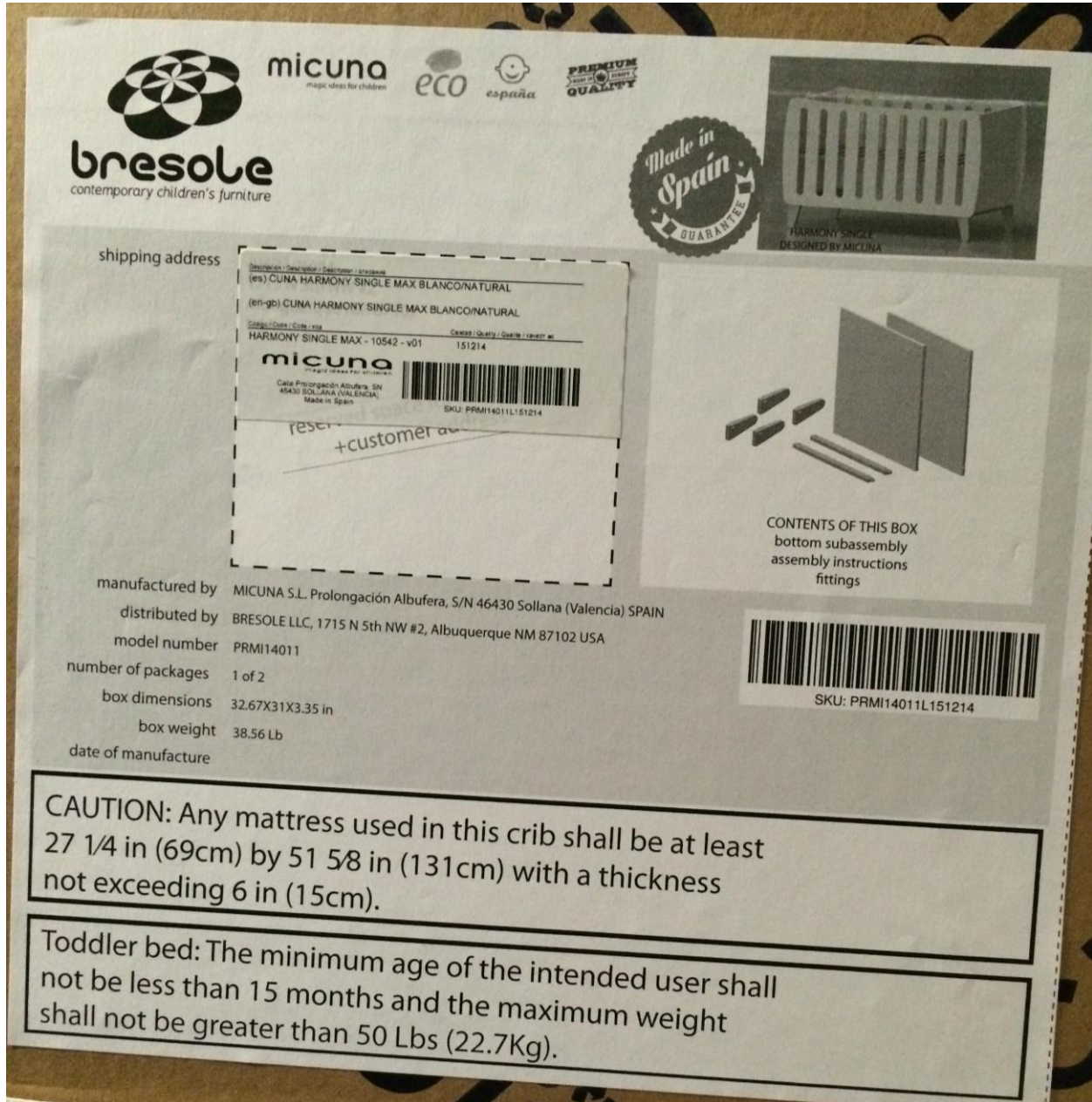
California Prop. 65: Phthalates						
Phthalate	DEHP	DBP	BBP	DINP	DIDP	DnHP
Limit (mg/kg)	1000	1000	1000	1000	1000	1000
Sample No.	Results (mg/kg)					
1	ND	ND	ND	ND	ND	ND
2	ND	ND	ND	ND	ND	ND
5	ND	ND	ND	ND	ND	ND
6	ND	ND	ND	ND	ND	ND
8	ND	ND	ND	ND	ND	ND

ND = <100 mg/kg

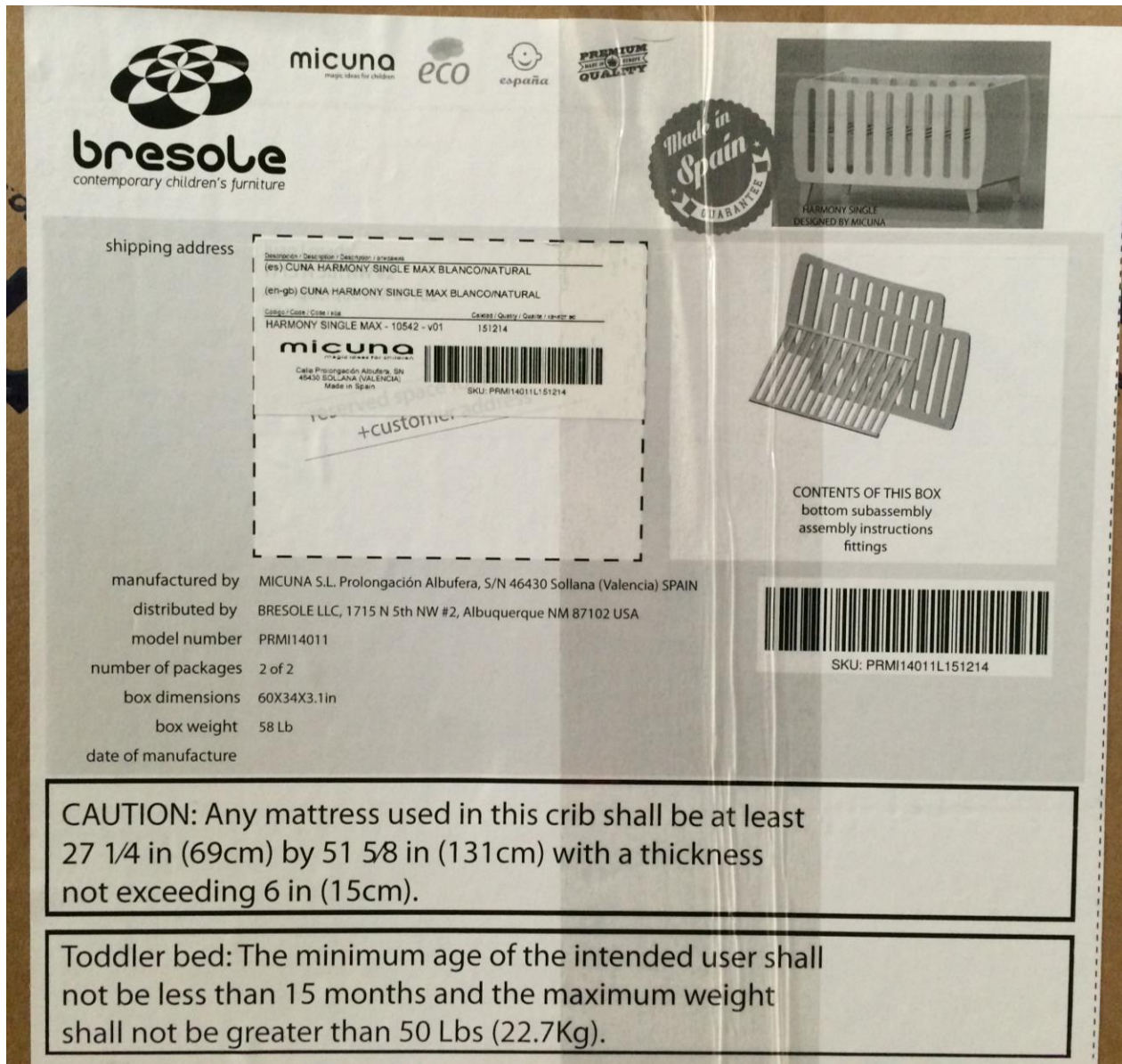
ppm = parts per million = mg/kg = milligrams per kilogram

This report is issued by AM Testing & Services Inc. AM Testing & Services Inc.'s responsibility is limited to proven negligence and will in no case be more than the amount of the testing fees. Except by special arrangement, samples are not retained by AM Testing & Services Inc. for more than 30 days, and are the property of AM Testing & Services Inc. The results shown on this test report refer only to the sample(s) tested unless otherwise stated, under the conditions agreed upon. Anyone relying on this report should understand all of the details of the engagement. The name, seals, marks nor insignia of AM Testing & Services Inc. may not be used in any advertising or promotional materials without the prior written approval of AM Testing & Services Inc. The test report cannot be reproduced without prior written permission of AM Testing & Services Inc.

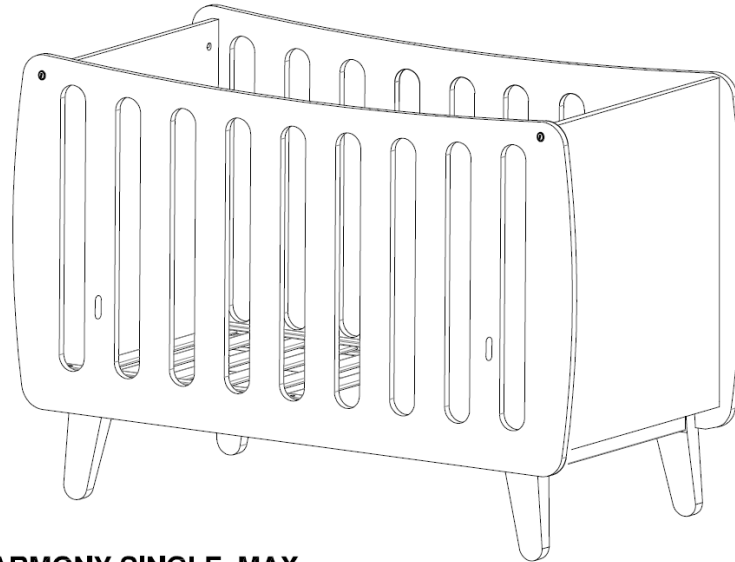
**SAMPLE PHOTOS:**



This report is issued by AM Testing & Services Inc. AM Testing & Services Inc.'s responsibility is limited to proven negligence and will in no case be more than the amount of the testing fees. Except by special arrangement, samples are not retained by AM Testing & Services Inc. for more than 30 days, and are the property of AM Testing & Services Inc. The results shown on this test report refer only to the sample(s) tested unless otherwise stated, under the conditions agreed upon. Anyone relying on this report should understand all of the details of the engagement. The name, seals, marks nor insignia of AM Testing & Services Inc. may not be used in any advertising or promotional materials without the prior written approval of AM Testing & Services Inc. The test report cannot be reproduced without prior written permission of AM Testing & Services Inc.



This report is issued by AM Testing & Services Inc. AM Testing & Services Inc.'s responsibility is limited to proven negligence and will in no case be more than the amount of the testing fees. Except by special arrangement, samples are not retained by AM Testing & Services Inc. for more than 30 days, and are the property of AM Testing & Services Inc. The results shown on this test report refer only to the sample(s) tested unless otherwise stated, under the conditions agreed upon. Anyone relying on this report should understand all of the details of the engagement. The name, seals, marks nor insignia of AM Testing & Services Inc. may not be used in any advertising or promotional materials without the prior written approval of AM Testing & Services Inc. The test report cannot be reproduced without prior written permission of AM Testing & Services Inc.



**HARMONY SINGLE MAX**  
**Full Size**  
**Assembly Instructions**  
**Manufactured Date: December-9-2014**

**Made in Valencia, Spain**

**\*\*\* END OF REPORT \*\*\***

This report is issued by AM Testing & Services Inc. AM Testing & Services Inc.'s responsibility is limited to proven negligence and will in no case be more than the amount of the testing fees. Except by special arrangement, samples are not retained by AM Testing & Services Inc. for more than 30 days, and are the property of AM Testing & Services Inc. The results shown on this test report refer only to the sample(s) tested unless otherwise stated, under the conditions agreed upon. Anyone relying on this report should understand all of the details of the engagement. The name, seals, marks nor insignia of AM Testing & Services Inc. may not be used in any advertising or promotional materials without the prior written approval of AM Testing & Services Inc. The test report cannot be reproduced without prior written permission of AM Testing & Services Inc.

**AM Testing & Services**

11625 S. Mayfield Ave • Alsip, Illinois 60803 • Telephone: 708-907-5252 • AMTestinginc.com

Page 8 of 8